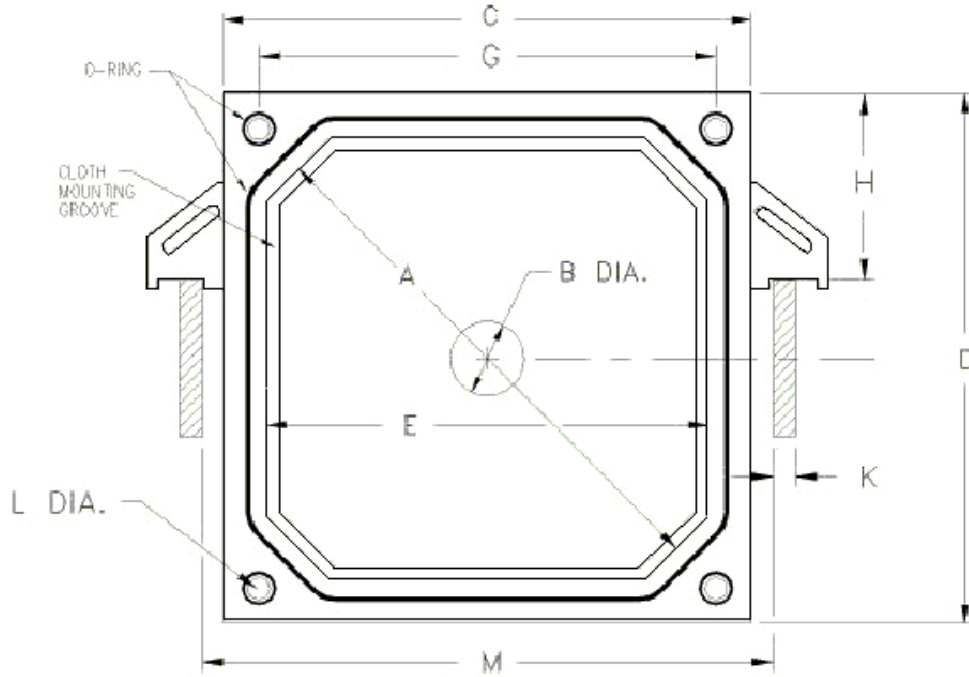


CGR Filter Plate Questionnaire



Use the table below to enter the dimensions of your Filter Plate:

Dim	Description	Metric (mm)	Imperial (inch)
A	Diagonal Groove Distance		
B	Feed Hole Diameter		
C	Plate Width 630 mm <input type="button" value="Select"/>		
D	Plate Height		
E	Horizontal Groove Distance		
F	Groove Width		
G	Corner Hole Distance (center to center)		
H	Handle Offset (top of plate to top of side rail)		
K	Side Rail Thickness		
L	Corner Hole Diameter		
M	Side Rail Clearance (inside to inside)		

NOTE:

Measure the outside edge to outside edge of the cloth caulking groove. Groove widths are usually between 1/4 and 3/8" wide unless distorted or special.

They are hard to measure.

Check against the rope in the filter cloth, when pushed back into a circular shape it should give you a guide. Or, cut out a piece of rope and send it to us.

Call us if you need help.

Please enter your Contact Information below:

Contact Name:	
Email Address:	
Company:	
Address:	
City/State/Zip:	< City State Zip >
Telephone:	< Telephone Number >

Enter Press Information below:

Press Make:	
Feed Pressure:	
Plate Thickness:	
Cake Thickness:	
Is the "O"-ring on both sides?	no
Which corner holes are ported?	all