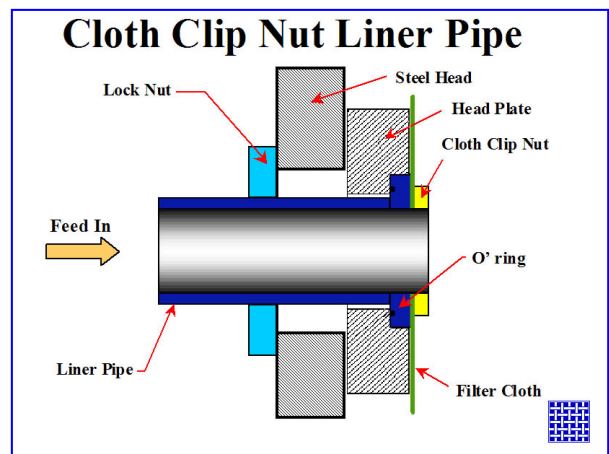
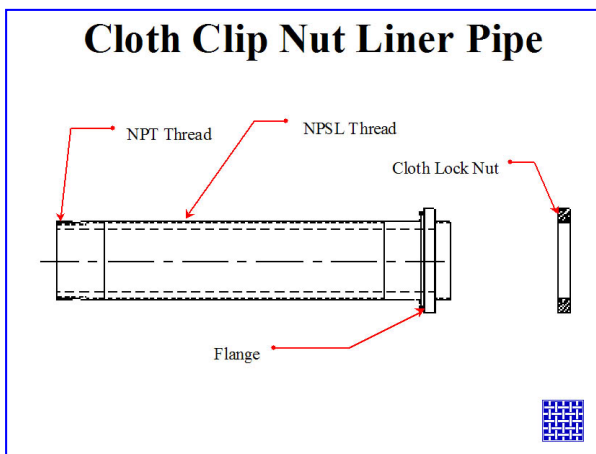


THE PLATE SIDE OF THE FILTER

Filtrate liner pipes can be designed to use a flanged connection (usually seats in a counter bore in a flat connector plate) or NPT connection (either threads into a flat connector plate or threads into the back of the first half plate – the Headplate).

THE PIPING SIDE OF THE FILTER

Filtrate liner pipes can terminate on the piping side of the filter with an NPT connection, to which a threaded flanged connection is made. In cases where an NPT thread is used on the plate side of the filter (CPVC, plastic or steel liners) a flange may be glued or welded to the piping side or an NPT thread provided for the manifold piping connection.



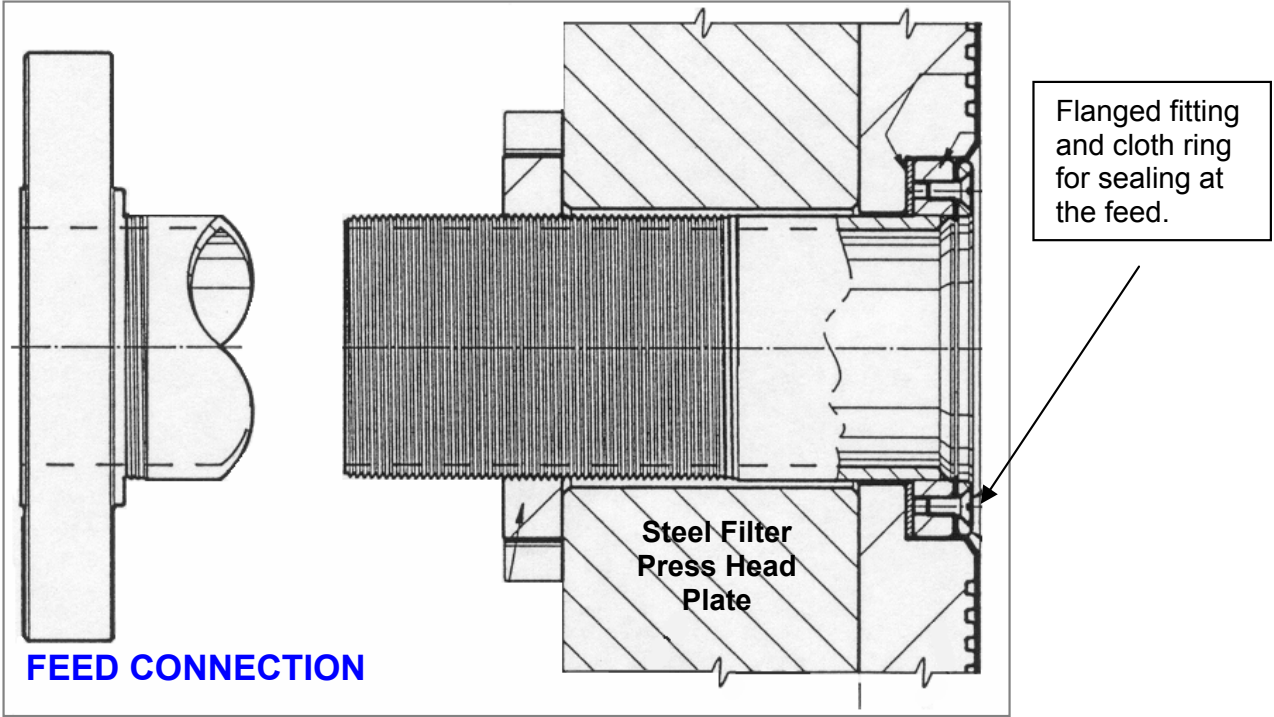
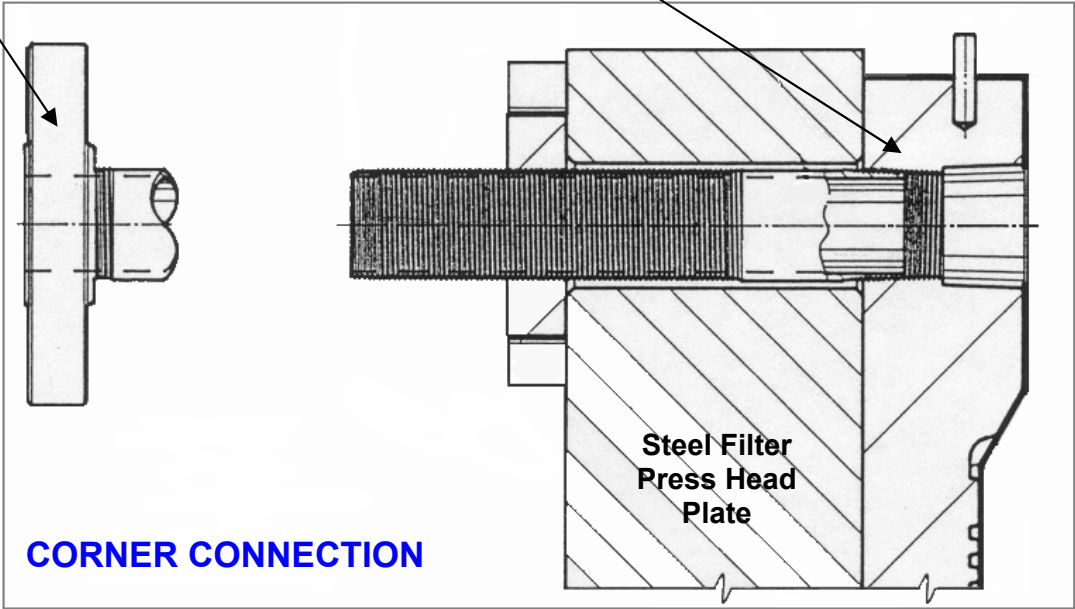
THE FEED INLET AND CONNECTION

The feed liner pipe may have an NPT connection into the back of the Feedhead, with a cloth ring to seal the filter cloth. Or, the pipe is sealed with O ring and a cloth "nut" seals the first filter cloth.

In all cases a lock nut is used to tighten up the assembly to the filter framework.

Flanged fitting

NPT connection into the 1st plate



The drawings show common methods for feed plate connections. In some cases NPT threads are used to connect the Head (1st) plate. Another method uses a 1" connector plate, either flanged fittings into counter bored holes or NPT threads create the seal. Contact Micronics if you need additional help with your filter press or plate set up.